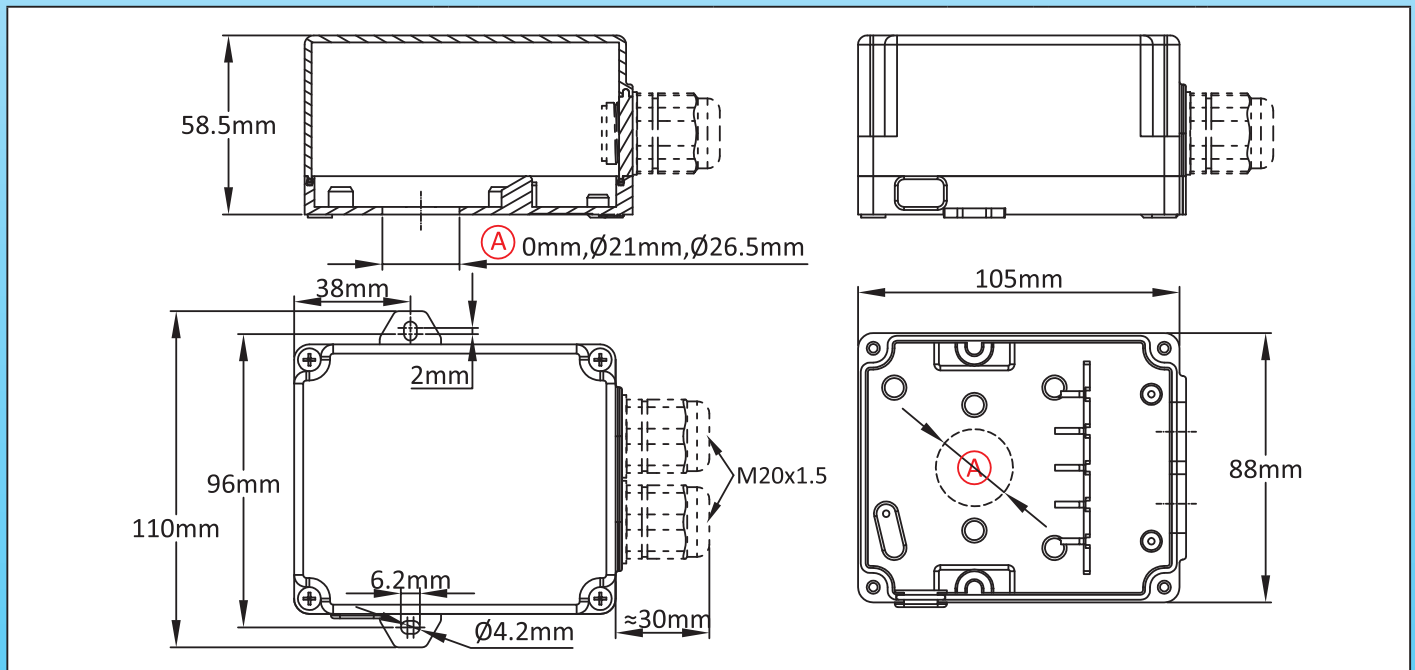


Temperature sensor, thermostat or level sensor enclosure

Size(mm)	Volume(cm ³)	Material	Protection grade		Model
105 x 88 x 58.5	550	PA66	IP69K	IK10	Y3B1




Suitable for
<input type="checkbox"/> Temperature sensor
<input checked="" type="checkbox"/> Immersion heater
<input type="checkbox"/> Finned heater
<input checked="" type="checkbox"/> Thermostat
<input type="checkbox"/> Level sensor
<input type="checkbox"/> Electronic board



Main references

A (mm)	References
0	Y3B1000022C0000T
21	Y3B1210022C0000T
26.5	Y3B1265022C0000T

Links

	Page (.pdf)
	Drawing 2D (.dwg)
	Drawing 3D (.stp)

Cable gland not included in these reference, consult us if you want them.
 Red dimensions inside rectangular frames on drawings are used for accessories assembly.

